



Jabiru

Jabiru / Jabiru Xtra

Mercedes-Benz Safety

Driver, Passenger & Thorax Airbags (**Option:** 316)
ABS Brakes, Electronic Stability Program & Traction Control

Front Cabin / Lounge

Radio/CD, Bluetooth, Media-In & Rear Speakers
Navigation (**Option:** 316)
Reverse & Rear-View Camera
Multifunction Steering Wheel & Trip Computer
Cruise Control
REMIFront Blind System
Rotating Front Comfort Seats with Armrests
Coffee & Removable Dining Tables
Rear 3-Point Inertia Reel Seatbelts (**Jabiru Xtra**)
TV/DVD
Fire Extinguisher

Kitchen

Gas Cooktop (**Remote:** Diesel Cooktop)
Range Hood
Microwave Oven
12/240V Compressor Fridge & Freezer
Stainless Steel Sink with Glass Top
Drinking Water Filtration System
Roller Shutter Doors & Soft Close Drawer System
Overhead Roof Locker Storage System Throughout
Crockery and Storage System
High Pressure Laminated Euro-Plywood Construction

Switch Mode Bathroom

Spacious Showering Room with Retracting Toilet (**Patented**)
Teak Grate, Shower Screen & Towel Rails
Vanity Basin, Shaving Cabinet & LED Lit Mirror

Bedroom

North/South Twin Single Beds Makes Double (**Jabiru**)
East/West Permanent Double Bed (**Jabiru Xtra**)
Room Fan
Additional TV Mount
Privacy Room Divider

Plumbing

Fresh Water Tank
Grey Water Tank, Electronic Dump Valve & Waste Hose
Outside Hot/Cold Shower
Gas/240V Hot Water System (**Remote:** Diesel fuelled)
Mains Water Connection
Gas System (Not with **Remote**)

Power

Two AGM Maintenance-Free Deep Cycle Batteries
240V Battery Charger
Electronic Control System
LED Intergrated Lighting System with Dimming Functions
LED Exterior Lights
Amplified TV Antenna
12V Outlets & USB Chargers
240V Electrical System & Cable Locker

General

Fabric Automotive Linings
Coat Hooks & Magazine Rack
Vinyl Flooring & Carpet (Removable)
Large Skylight
Double Glazed Opening Windows
Screens/Shades & Privacy Blinds
Outdoor Work Bench
Electric Awning
Electric Side Entry Step
Boot Storage at Rear
Front & Rear Mudflaps

Pricing From (Drive Away)

Jabiru 316 Auto	\$144,000
Jabiru 319 Auto	\$151,000
Jabiru 419 Auto	\$154,000
Jabiru Xtra 419 Auto	\$159,000
Jabiru Remote 316 Auto	\$152,000
Jabiru Remote 319 Auto	\$159,000
Jabiru Remote 419 Auto	\$162,000
Jabiru Xtra Remote 419 Auto	\$167,000

Remote Pack includes

Thermal and Sound Insulation Package
Solar Charging System
Diesel Fuelled Water & Room Heater
Diesel Fuelled Glass Ceramic Cooktop
Side Door Screen

Options

Match Front Seat Upholstery (Xtra: Standard)	1,650
Leather Upholstery	2,500
Leather Upholstery (Xtra)	3,500
Ducted Diesel Room Heater (Remote: Standard)	2,950
240V Roof Air-Conditioning	3,250
Ducted 240V Air-Conditioning (Xtra Only)	3,850
Solar charging system (Remote: Standard)	2,300
Inverter System	2,350
Tow Bar & Electrics	2,150
Alloy Bull Bar	2,950
Metallic Paint	2,600
Powered Sliding Door	1,800

trakka.com.au

2017



Jabiru

Jabiru / Jabiru Xtra

Model Jabiru / Jabiru Xtra

Vehicle Mercedes-Benz Sprinter (316), 319 & 419 LWB

Engine

Type CDI Turbo Diesel
Displacement (2143cc) 2987cc
Cylinders (4) 6
Maximum Power (120kW) 140kW
Maximum Torque (360Nm) 440Nm

Transmission

Automatic 7-Speed
Drive Rear Wheel

Suspension, Wheels & Tyres

Front Independent Damper Strut with Leaf Spring
Rear Live Axle with Leaf Spring
Tyres 316 & 319 235/65 R16
Tyres 419 Front 205/75 R16 Rear 285/65 R16

External Dimensions

Length 7.100m
Width 1.993m / 2.175m
Height 2.78m (2.9m with Roof Air-Con)
Wheelbase 4.325m
Turning Circle 15.3m
Ground Clearance 180mm

Internal Dimensions

Height 1,94m
Bed (Singles) 2.05m x 0.65m (Jabiru)
Bed (Doubles) 1.93m x 1.65m (Jabiru Xtra)

Capacities

ADR Approved Seating 2 / 4
Fridge/Freezer 124/12 (Total 136L)
Fresh Water Tank 120L / 160L
Hot Water Tank 14L (Remote: 10L)
Grey Water Tank 80L
Toilet Waste Casette 19L
Gas Bottle 4kg
Fuel Tank 100L
Battery Charger 25 Amp
Auxiliary Battery 2 x 100Ah
Solar 160W (Option or Remote: Standard)
Inverter 1200W (Option)

Weights

Tare 3,200kg (316) / 3,300kg (319) / 3,600kg (419)
GVM 3,880kg (316) / 3,880kg (319) / 4,490kg (419)
Max payload 680kg (316) / 550kg (319) / 900kg (419)
Max towable 2,000kg

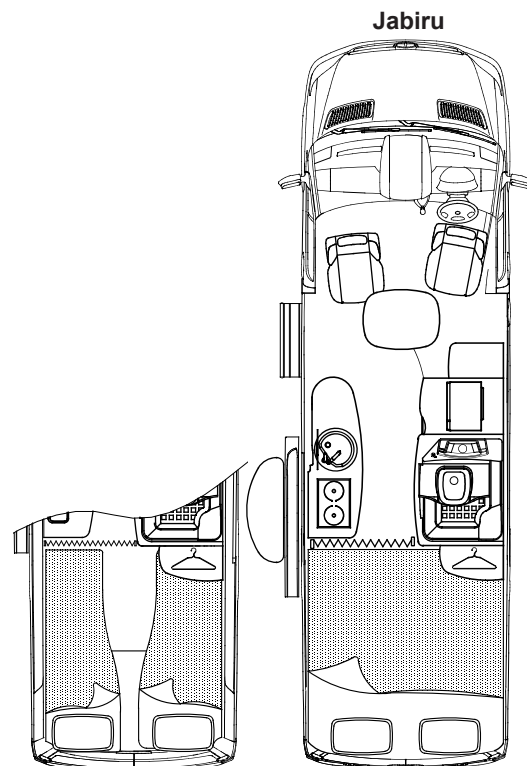
Price as at 17/01/17

Price includes NSW registration, CTP insurance and stamp duty charges

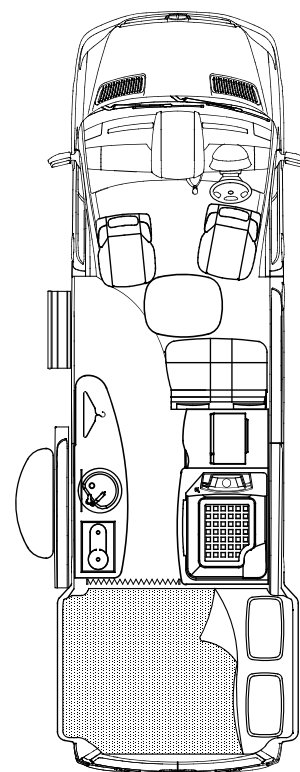
All capacities & dimensions are approximations & may vary with options fitted

Specifications and prices are subject to variation without notice

TRAKKA, TRAKKABOUT & Jabiru are registered Trade Marks of TRAKKA Pty Limited



Jabiru Xtra



trakka@trakka.com.au
ABN: 83 001 307 866

Phone: 1800 TRAKKA (1800 872552)
Motor Dealer Licence Number: 11297

9 Beaumont Rd
Mt. Kuring-gai NSW